



INTERNATIONAL APPLICATION PUBLISHED UNDER THE PATENT COOPERATION TREATY (PCT)

<p>(51) International Patent Classification⁶ : B01L 11/00, G01N 33/487, B01L 9/00</p>	A1	<p>(11) International Publication Number: WO 97/29847</p> <p>(43) International Publication Date: 21 August 1997 (21.08.97)</p>
<p>(21) International Application Number: PCT/US97/02166</p> <p>(22) International Filing Date: 11 February 1997 (11.02.97)</p> <p>(30) Priority Data: 08/600,449 13 February 1996 (13.02.96) US</p> <p>(71) Applicant: SELFCARE, INC. [US/US]; 200 Prospect Street, Waltham, MA 02154 (US).</p> <p>(72) Inventors: MCALEER, Jerome, F.; 52 Nobles Close, Wantage OX12 0NR (GB). MOERMAN, Piet, H., C.; Grimbergsesteenweg 5, B-1980 Zemst (BE). SIU, Ta; 21 Park Street, Alhambra, CA 91801 (US).</p> <p>(74) Agents: LARSON, Marina, T. et al.; Oppedahl & Larson, Suite 309, 1992 Commerce Street, Yorktown Heights, NY 10598-4412 (US).</p>		<p>(81) Designated States: AL, AM, AT, AU, AZ, BA, BB, BG, BR, BY, CA, CH, CN, CU, CZ, DE, DK, EE, ES, FI, GB, GE, HU, IL, IS, JP, KE, KG, KP, KR, KZ, LC, LK, LR, LS, LT, LU, LV, MD, MG, MK, MN, MW, MX, NO, NZ, PL, PT, RO, RU, SD, SE, SG, SI, SK, TJ, TM, TR, TT, UA, UG, UZ, VN, ARIPO patent (KE, LS, MW, SD, SZ, UG), Eurasian patent (AM, AZ, BY, KG, KZ, MD, RU, TJ, TM), European patent (AT, BE, CH, DE, DK, ES, FI, FR, GB, GR, IE, IT, LU, MC, NL, PT, SE), OAPI patent (BF, BJ, CF, CG, CI, CM, GA, GN, ML, MR, NE, SN, TD, TG).</p> <p>Published <i>With international search report. Before the expiration of the time limit for amending the claims and to be republished in the event of the receipt of amendments.</i></p>
<p>(54) Title: IMPROVED GLUCOSE MONITOR AND TEST STRIP CONTAINERS FOR USE IN SAME</p>		
<p>(57) Abstract</p>		
<p>e test meter of the type which receives a disposable test strip and a sample of bodily fluid from a patient and performs an electrochemical analysis of the amount of an analyte such as glucose in the sample includes a receptacle (7) for receiving a container (10) in which disposable test strips are provided, and a mechanism for reading information about the disposable test strips that is affixed to the container. For example, calibration values can be applied to the container in the form of a machine readable bar-code, a magnetic stripe, a memory chip or as a resonant wire loop. By automatically obtaining calibration values from the container in which the strips are provided, the chances of using the wrong calibration information are greatly reduced. The container may also contain information readable by the meter including the expiration date, and the number of test strips in the container.</p>		

FOR THE PURPOSES OF INFORMATION ONLY

Codes used to identify States party to the PCT on the front pages of pamphlets publishing international applications under the PCT.

AM	Armenia	GB	United Kingdom	MW	Malawi
AT	Austria	GE	Georgia	MX	Mexico
AU	Australia	GN	Guinea	NE	Niger
BB	Barbados	GR	Greece	NL	Netherlands
BE	Belgium	HU	Hungary	NO	Norway
BF	Burkina Faso	IE	Ireland	NZ	New Zealand
BG	Bulgaria	IT	Italy	PL	Poland
BJ	Benin	JP	Japan	PT	Portugal
BR	Brazil	KE	Kenya	RO	Romania
BY	Belarus	KG	Kyrgyzstan	RU	Russian Federation
CA	Canada	KP	Democratic People's Republic of Korea	SD	Sudan
CF	Central African Republic	KR	Republic of Korea	SE	Sweden
CG	Congo	KZ	Kazakhstan	SG	Singapore
CH	Switzerland	LI	Liechtenstein	SI	Slovenia
CI	Côte d'Ivoire	LK	Sri Lanka	SK	Slovakia
CM	Cameroon	LR	Liberia	SN	Senegal
CN	China	LT	Lithuania	SZ	Swaziland
CS	Czechoslovakia	LU	Luxembourg	TD	Chad
CZ	Czech Republic	LV	Latvia	TG	Togo
DE	Germany	MC	Monaco	TJ	Tajikistan
DK	Denmark	MD	Republic of Moldova	TT	Trinidad and Tobago
EE	Estonia	MG	Madagascar	UA	Ukraine
ES	Spain	ML	Mali	UG	Uganda
FI	Finland	MN	Mongolia	US	United States of America
FR	France	MR	Mauritania	UZ	Uzbekistan
GA	Gabon			VN	Viet Nam

- 1 -

IMPROVED GLUCOSE MONITOR AND TEST STRIP
CONTAINERS FOR USE IN SAME

DESCRIPTION

BACKGROUND OF THE INVENTION

This application relates to an improved type of glucose monitor which is automatically calibrated for the particular test strips being used, and to test strip
5 containers for use in such a monitor.

Glucose monitoring is a fact of everyday life for diabetic individuals, and the accuracy of such monitoring can literally mean the difference between life and death. To accommodate a normal life style to the
10 need for frequent monitoring of glucose levels, a number of glucose meters are now available which permit the individual to test the glucose level in a small amount of blood. The success of these devices, however, depends on the ability of the user to obtain a correct reading.

15 Many of the meter designs currently available make use of a disposable test strip which in combination with the meter measures the amount of glucose in the blood sample electrochemically. Lot-to-lot variation during the manufacture of test strips requires that the
20 user calibrate the system for each batch of strips. This is normally accomplished by inserting a calibration strip, provided with each package of test strips, into the meter. This process introduces the possibility of error as a result of failure of the user to perform the
25 calibration procedures in the correct manner or at the correct times. In particular, errors in calibration can occur if a user opens a new package of test strips and fails to perform the calibration step or if a user has several packages of test strips open and confuses the
30 calibration strips between the packages.

It is an object of the present invention to provide a meter, and particularly a glucose meter, which obviates the need for user initiated calibration.

- 2 -

It is a further object of the invention to provide a meter, and particularly a glucose meter, which reduces the likelihood of a test strip being used with the incorrect meter calibration.

5

SUMMARY OF THE INVENTION

These and other objects of the invention are provided by a test meter of the type which receives a disposable test strip and a sample of bodily fluid from a patient and performs an electrochemical analysis of the amount of an analyte, for example glucose, in the sample that includes a receptacle for receiving a container in which disposable test strips are provided, and a mechanism for reading calibration values calibration values specific to the disposable test strips that are affixed to the container. For example, calibration values can be applied to the container in the form of a machine readable bar-code, a magnetic stripe, a memory chip or as a resonant wire loop. By automatically obtaining calibration values from the container in which the strips are provided, the chances of using the wrong calibration information are greatly reduced.

In addition to calibration values, the container may contain additional information readable by the meter which will enhance the safety of the individual using the device. For example, the container may include a machine readable expiration date, which would permit the meter to either give a warning or to refuse to process a test strip which was beyond its expiration date. In addition, the container may include information about the number of test strips in the container. Since any effort to process more strips than were originally supplied in the container would in all likelihood result in the use of the wrong calibration codes, a warning or refusal to process the strip would be appropriate in this instance as well.

35

BRIEF DESCRIPTION OF THE DRAWINGS

Fig. 1 shows a cross section of a glucose meter in accordance with the invention;

5 Fig. 2 shows a top view of a glucose meter in accordance with the invention;

Fig. 3 shows one embodiment of a receptacle for receiving a container of test strips in accordance with the invention;

10 Fig. 4 shows one embodiment of a receptacle for receiving a container of test strips in accordance with the invention;

Fig. 5 shows the functional parts of a meter in accordance with the invention schematically;

15 Figs 6A - 6E illustrate the operation of several embodiments of the inventions; and

Fig. 7 shows a container in accordance with the invention.

DETAILED DESCRIPTION OF THE INVENTION

20 Figs. 1 and 2 shows a meter in accordance with the invention. The meter has a top housing member 1 and a bottom housing member 2. Bottom housing member 2 has a receptacle 7 affixed thereto for receiving a container 10 of test strips. Bottom housing member 2 also has an opening for receiving batteries to power the meter which is sealed in use by battery cover 4. Top housing member 1 has openings formed therein for a liquid crystal or light emitting diode display 3, and for control buttons 5. In addition, top housing member 1 and bottom housing member 2 taken together form a slot 12 into which a test strip is inserted for measurement of glucose.

30 Fig. 3 shows a detailed view of one embodiment of a receptacle for a test strip container in accordance with the present invention. The receptacle 7 is open at the front end 31 to receive a test strip container and has a retractable catch 32 for holding the container in position in the receptacle. On one surface of the

- 4 -

receptacle 7 is an opening 33 through which machine-readable characters, e.g. a bar code, printed on the container can be read. Although the receptacle 7 in Fig. 3 is shown as a regular shape, it may be desirable to
5. make the container and the receptacle of corresponding asymmetrical shapes to ensure alignment of the machine-readable characters with the opening.

Fig. 4 shows a cross section of an alternative embodiment of the receptacle 7. In this embodiment, a
10 line of electrical contacts 41 are arranged to engage with a corresponding set of contacts on the container to that information stored on a chip built into the container can be made. The contacts 41 are in turn connected to the meter for processing of the information.

15 Fig. 5 shows a functional parts of the glucose meter of the invention schematically for purposes of understanding the operation of the invention. As shown, coded information 50 recorded on a test strip container 10 disposed within receptacle 7 is functionally connected to means 51 for reading the information affixed to the
20 container. The means for reading the information must, of course, be compatible with the manner in which the information 50 is recorded on the container. Thus, for example, in the case of information recorded in a bar-
25 code format, the means 51 for reading the information affixed to the container will be a bar-code reader. For a magnetic strip, the means 51 will be a magnetic stripe reader. In the case where the information on the
30 container is recorded in a memory chip, for example a "TOUCH MEMORY" chip manufactured by Dallas Semiconductor or other semiconductor device capable of storing information for retrieval by a remote device, the means
35 51 for reading the information is a microprocessor which sends a query to the chip and receives back a signal reflecting the stored contents of the chip. In the case where the information is stored as a resonating wire loop, the resonating frequency of which indicates the

information, the means 51 for reading the information is an rf generator and detector which scans across possible resonance frequencies and monitors for a resonant emission from the wire loop.

5 The means 51 for reading the information is functionally connected to a microprocessor 52 for controlling the device. When the user depresses the start key 5, the microprocessor 52 queries the means 51 for reading the information from the container and either
10 evaluates the sample which has placed in the slot 12, evaluates the sample with a warning to the user, or refuses to evaluate the sample. If the sample is evaluated, with or without a warning, the microprocessor receives output from the electrodes 53 on the test strip,
15 applies the calibration factors received from the means 51 for reading the information from the container, and causes the resulting glucose level to be displayed on display 3.

 Figs. 6 A - E illustrate several variations of information 50 which can be recorded on a container in accordance with the present invention, and the ways in which the microprocessor 52 can make use of the recorded information. In Fig. 6A, the information 50 recorded on the container is simply the calibration values for the
20 test strips in the container. In this case, the microprocessor 52 simply applies the calibration values to the raw electrode output and converts it to a digital value, to arrive at a calibrated glucose display.

 In Fig. 6B, the information 50 recorded on the
30 container includes both the calibration values and the number of test strips originally in the container. Microprocessor 52 maintains a register 60 in which a counter X is stored. The counter X is set to zero whenever a new container is loaded into the receptacle 7,
35 and is incremented each time a test strip is evaluated. Each time the meter is used, the microprocessor 52 compares the value of X stored in register 60 to the

number of test strips originally in the container. If the X is less than or equal to the original number of test strips, the microprocessor operates in a normal manner and a calibrated glucose value is displayed. If X is greater than the original number of strips, the microprocessor generates an error signal. This error signal may cause the meter to provide a result together with a warning that the result is suspect, or may cause the microprocessor to refuse to display a result at all.

Fig. 6C shows an embodiment in which the information 50 recorded on the container includes calibration values and an expiration or manufacturing date. In this case, the microprocessor 52 includes a clock 61 which is set initially by the user or by the factory and which is incremented automatically by the microprocessor to maintain the date accurately. The microprocessor 52 compares the expiration date recorded on the container to the clock, and acts in one of three ways depending on the results of this comparison. As shown, when the actual date is before the expiration date by some pre-determined threshold amount, for example 10 days, the microprocessor 52 simply generates a calibrated glucose display. When the actual date is closer to the expiration date than the predetermined threshold, and perhaps for several days after the expiration date, the microprocessor 52 generates a low level error signal which causes the meter to display a calibrated glucose reading along with a warning. Thereafter, the microprocessor generates a high level error signal which results in the meter refusing to provide a reading.

A variation on the embodiment shown in Fig. 6C would use the clock to also monitor the time since the container was placed in the receptacle. In this case, as shown in Fig. 6D, the microprocessor would also include a storage register 64 in which the date on which a new container is placed in the receptacle is stored. In addition to checking the expiration date, the

- 7 -

microprocessor 52 would also compare the current date to the date stored in register 62. If this difference were greater than a predetermined threshold level, the meter would generate a warning and/or refuse to operate. This embodiment is particularly useful where the shelf life of the test strips in the sealed container is longer than the shelf life after the container has been opened for first use. In addition, by generating a warning when a container of strips is lasting longer than expected, the meter could provide a reminder that tests need to be performed on a regular basis.

Fig. 6E shows a further embodiment of the invention in which the information 50 stored on the container includes both calibration values and the identification of the analyte for which the strip is intended. This embodiment is particularly useful where disposable test strips for several analytes, for example glucose and ketones can be evaluated in the same meter but require different processing of the raw data to obtain optimum results.

The various types of information and the resulting processing options depicted in the Figs 6A-6E can be used in any combination. Thus, for example, a container in accordance with the invention might include calibration values, analyte ID and expiration date; calibration values, number of strips and expiration date; number of strips and expiration date; or any other combination of information types.

While the checks described above will greatly reduce the chances of using incorrect calibration values or out-of-date test strips, it may also be advantageous to provide the ability to deactivate the information stored on the container so that it cannot be used beyond a certain point. For example, deactivation of the container after a number of tests had been run equal to the number of strips into the container would eliminate the possibility that an individual might place additional

test strips which did not match the calibration values of the container.

The mechanism of deactivation, like the mechanism for reading the information depends on the manner in which the information is stored. For example, in the case of a bar-code, the information might be rendered unreadable by exposing a photosensitive region to light which causes a color change for example to alter the bar code to an unreadable pattern. For an emitter loop, a fusible link can be included which is fused by a pulse of an appropriate frequency, render the shorting the emitter loop and rendering it inoperative. In the case of a programmable memory chip, deactivation might be accomplished by writing over a portion of the stored information, or by inducing a magnetic field near the chip of sufficient magnitude to render the stored information meaningless, and therefore unreadable. The generation of a magnetic field will also render a magnetic stripe inoperative.

A further aspect of the present invention is the containers which can be used in the meter according to the invention. As shown in Fig. 7, such a container generally comprises a sealable body member 70 for receiving at least one glucose test strip; and machine-readable means 71 for storing information specific to disposable test strips provided in the container. As will be apparent from the foregoing discussion of the alternative reading means which can be included in a meter according to the invention, the machine readable means 71 can be a bar-code, a memory chip, or a resonant wire loop, or any other form of machine readable storage which can be adapted for use in a small device of the type claimed.

- 9 -

Claims

1 1. A test meter of the type which receives a
2 disposable test strip and a sample of bodily fluid from a
3 patient and performs an electrochemical analysis of the
4 amount of an analyte in the sample, characterized in that
5 the meter comprises

6 (a) a receptacle for receiving a container in
7 which disposable test strips are provided, said container
8 having affixed thereto information specific to the
9 disposable test strips provided in the container in a
10 form readable by the test meter;

11 (b) means for reading the information affixed
12 to the container.

1 2. The test meter according to claim 1,
2 wherein the means for reading the information comprises a
3 bar-code reader.

1 3. The test meter according to claim 1,
2 wherein the means for reading the information comprises a
3 radio frequency emitter and receiver effective to
4 evaluate a resonant wire loop used to store information
5 specific to the test strips in the container.

1 4. The test meter according to claim 1,
2 wherein the means for reading the information comprises a
3 microprocessor for retrieving information from a memory
4 chip used to store information specific to the test
5 strips in the container.

1 5. The meter according to any of claims 1 to
2 4, wherein the information specific to the disposable
3 test strip includes calibration values for the disposable
4 test strips, and wherein the meter further comprises
5 means for applying the calibration values to a raw data

6 value to produce a calibrated value for the amount of
7 analyte.

1 6. The meter according to claim 5, further
2 comprising means for displaying the calibrated value for
3 the amount of analyte.

1 7. The meter according to any of claims 1 to
2 6, wherein the information specific to the disposable
3 test strip includes the number of test strips originally
4 provided in the container, and the meter further
5 comprises a data storage register for storing a value
6 equal to the number of test strips used from the
7 container and means for generating an error signal
8 whenever the value stored in the data storage register
9 exceed the number of test strips originally provided in
10 the container.

1 8. The meter according to any of claims 1 to
2 7, wherein the information specific to the disposable
3 test strip includes the expiration date of test strips
4 provided in the container, and the meter further
5 comprises a data storage register for storing the current
6 date and means for generating an error signal whenever
7 the value stored in the data storage register is later
8 than the expiration date of the test strips provided in
9 the container.

1 9. The meter according to claim 8, wherein
2 the means for generating an error signal generates a low
3 level error signal which causes the meter to display a
4 calibrated result and a warning when the date stored in
5 the data register is within some predetermined number of
6 days before or after the expiration date, and a high
7 level error signal which causes the meter to refuse to
8 display a calibrated result when the date stored in the

- 11 -

9 data register is more than the predetermined number of
10 days after the expiration date.

1 10. The meter according to any of claims 1 to
2 9, further comprising means for rendering the information
3 affixed to the container unreadable when a predetermined
4 set of conditions is met.

1 11. The meter according to any of claims 1 to
2 10, wherein the analyte is glucose.

1 12. A container for disposable test strips for
2 use in a test meter of the type which receives a
3 disposable test strip and a sample of bodily fluid from a
4 patient and performs an electrochemical analysis of the
5 amount of an analyte in the sample, comprising

6 (a) a sealable body member for receiving at
7 least one test strip; and

8 (b) machine-readable means for storing
9 information specific to disposable test strips provided
10 in the container.

1 13. The container according to claim 12,
2 wherein the machine-readable means is a bar-code.

1 14. The container according to claim 12,
2 wherein the machine-readable means is a memory chip.

1 15. The container according to claim 12,
2 wherein the machine-readable means is a resonant wire
3 loop.

1 16. The container according to claim 12,
2 wherein the machine-readable means is a magnetic stripe.

1 17. The container according to any of claim 12
2 to 16, further comprising means for rendering the

- 12 -

3 machine-readable means unreadable in response to an
4 externally applied signal.

1 18. The container according to any of claims
2 12 to 17, wherein the information specific to the test
3 strips includes calibration values for the test strips.

1 19. The container according to any of claims
2 12 to 18, wherein the information specific to the test
3 strips includes the number of test strips originally
4 provided in the container.

1 20. The container according to any of claims
2 12 to 19, wherein the information specific to the test
3 strips includes the expiration date of the test strips
4 provided in the container.

1/6

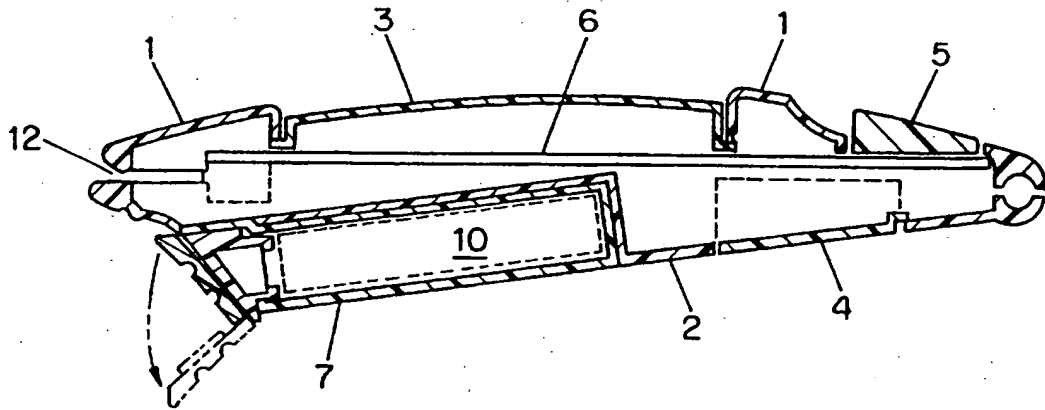


FIG. 1

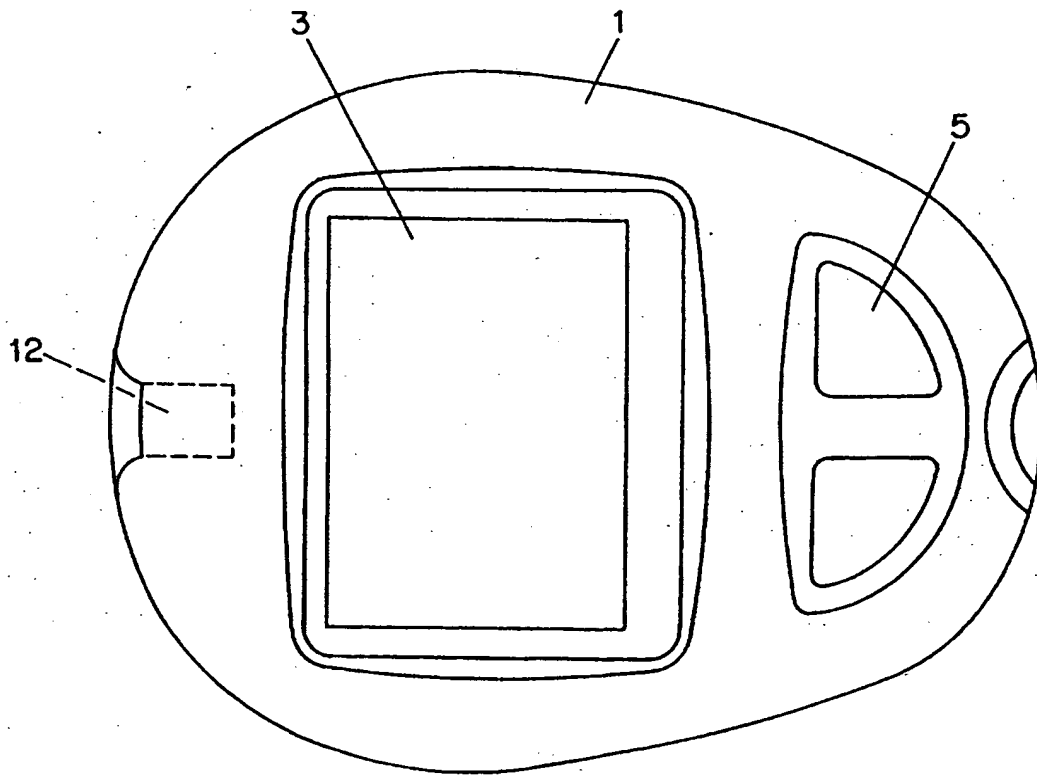


FIG. 2

SUBSTITUTE SHEET (RULE 26)

2/6

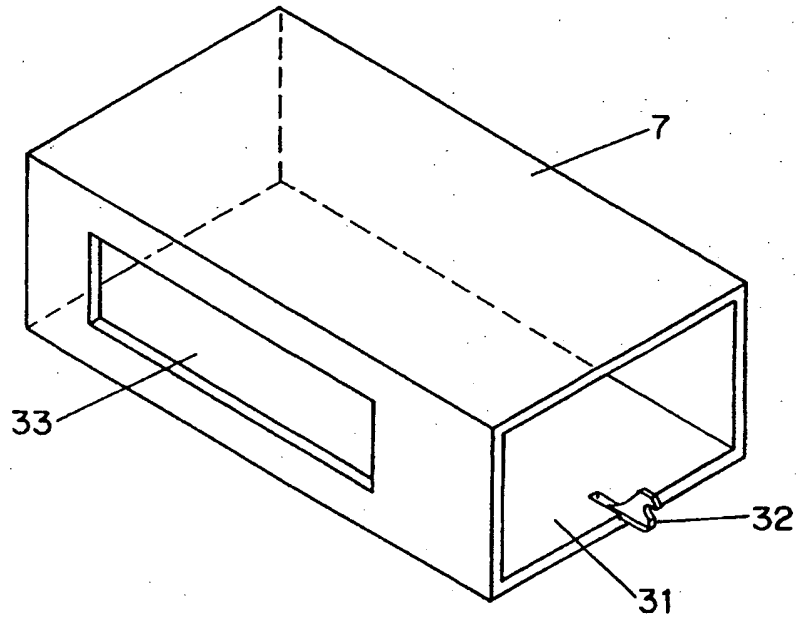


FIG. 3

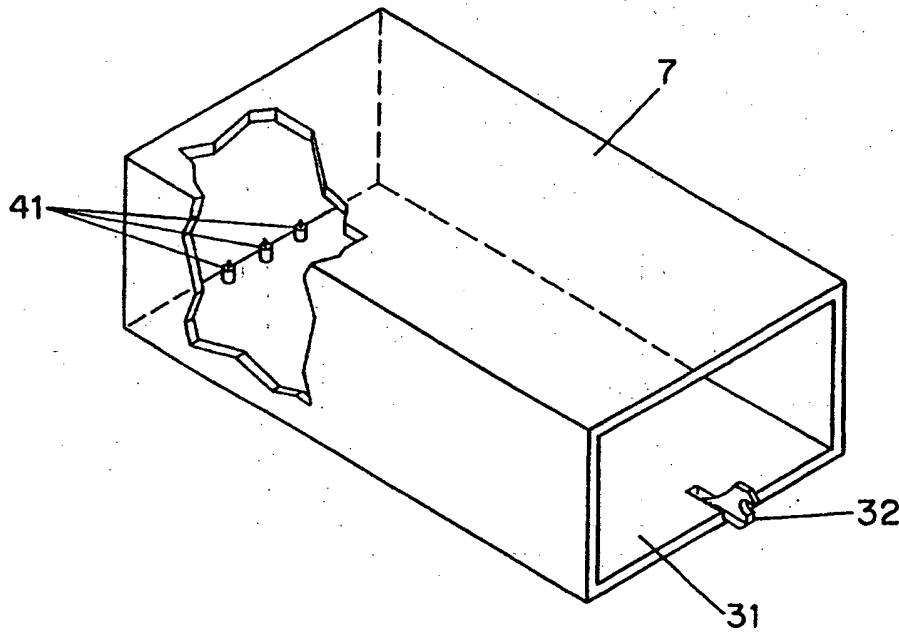


FIG. 4

SUBSTITUTE SHEET (RULE 26)

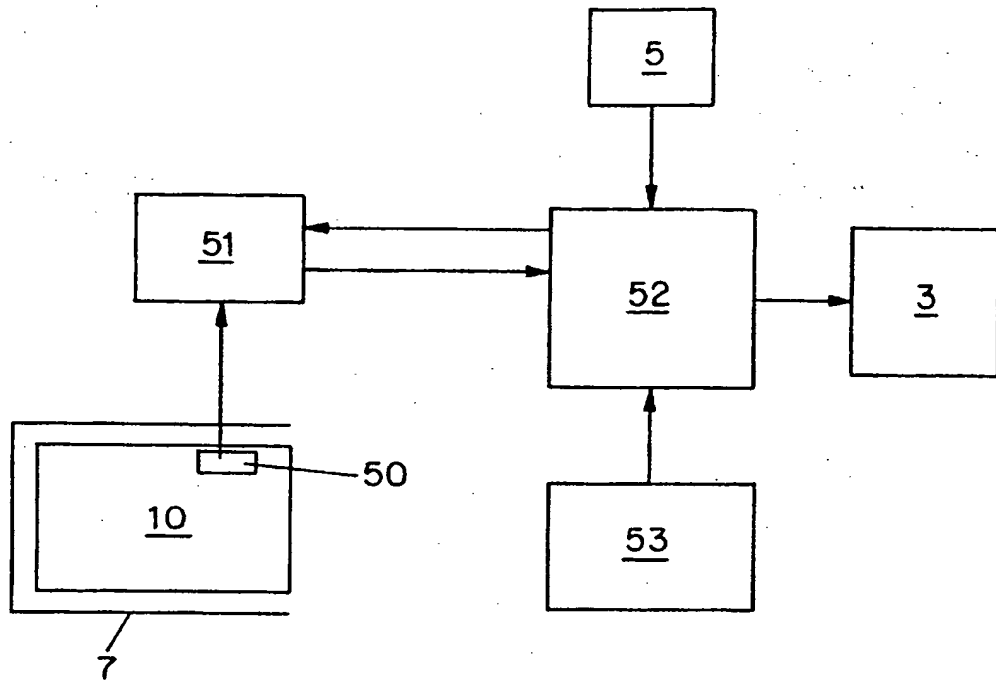


FIG. 5

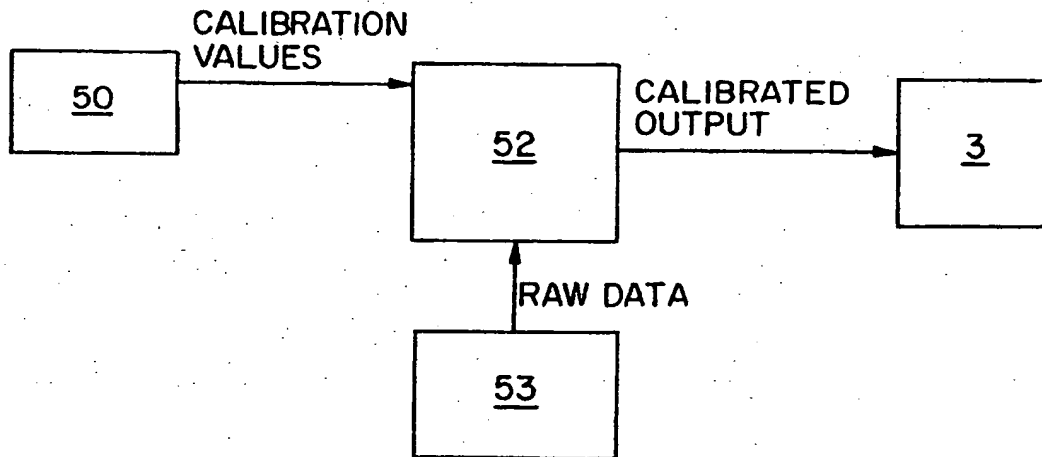


FIG. 6A

4/6

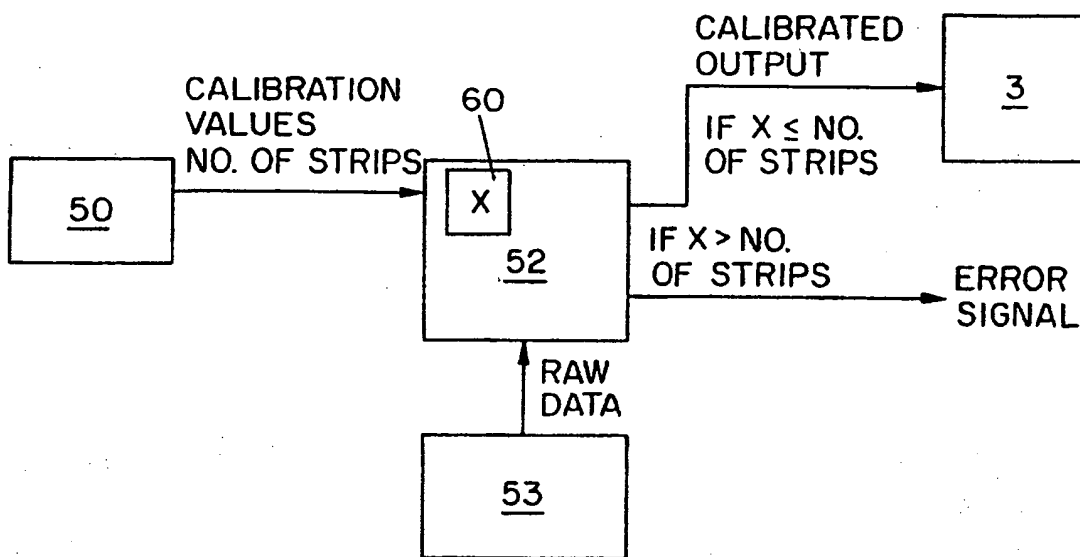


FIG. 6B

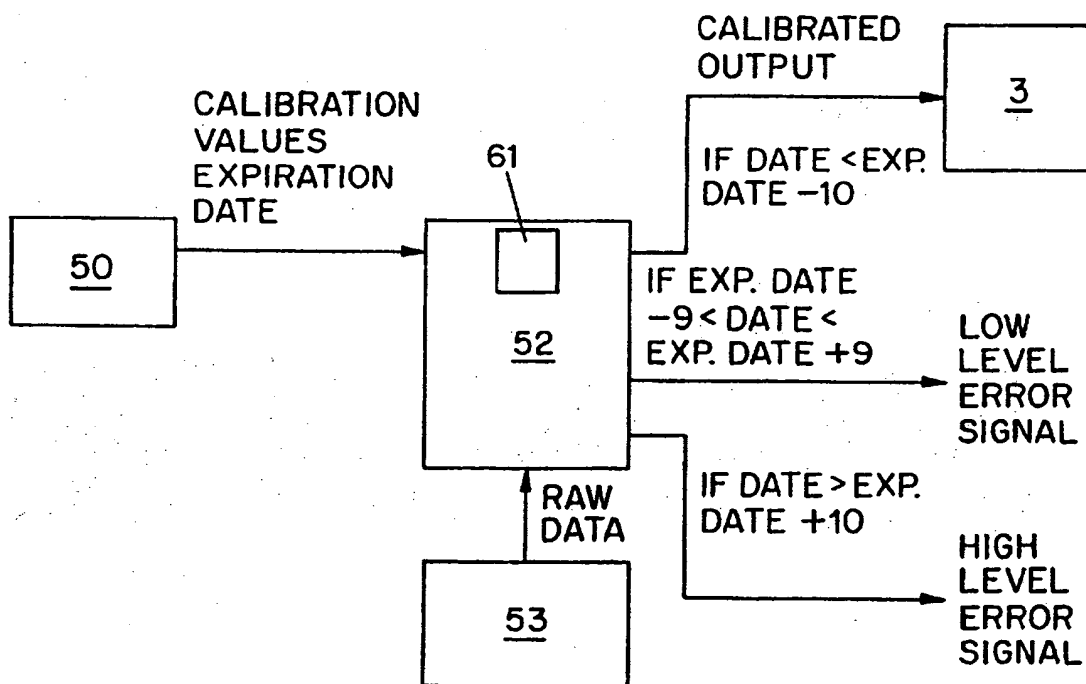


FIG. 6C

5/6

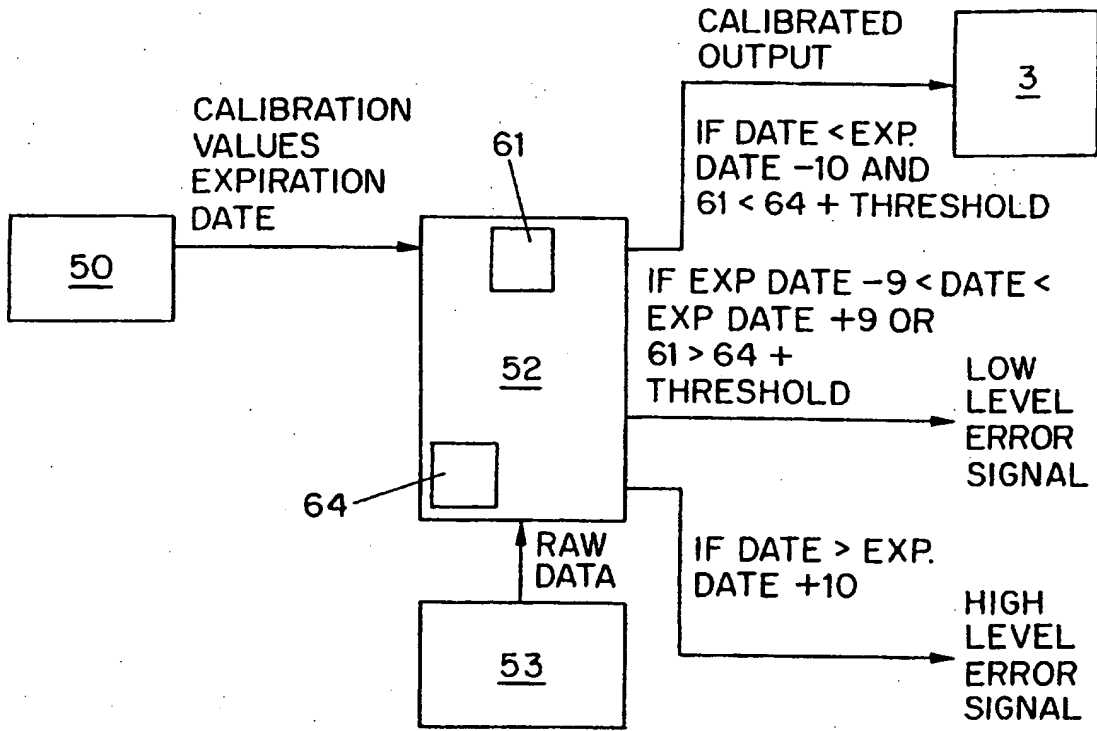


FIG. 6D

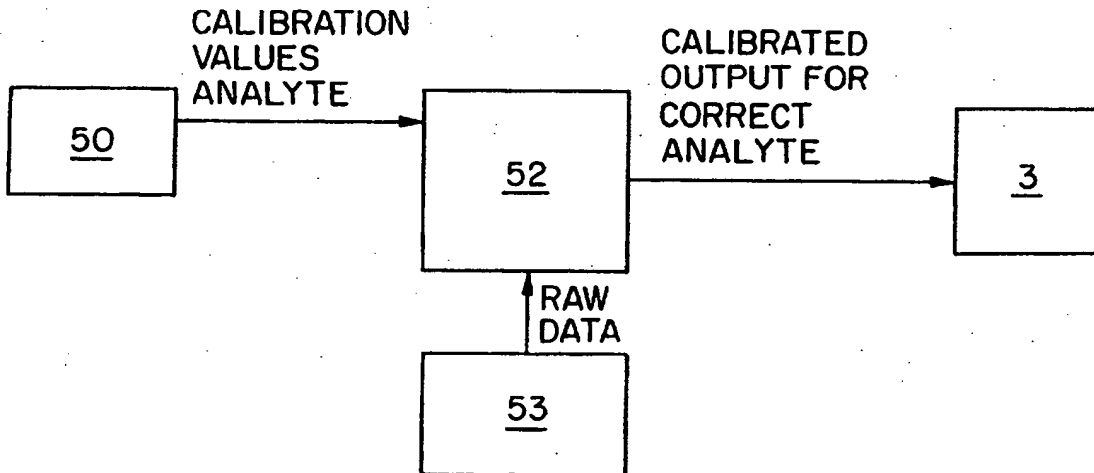


FIG. 6E

6/6

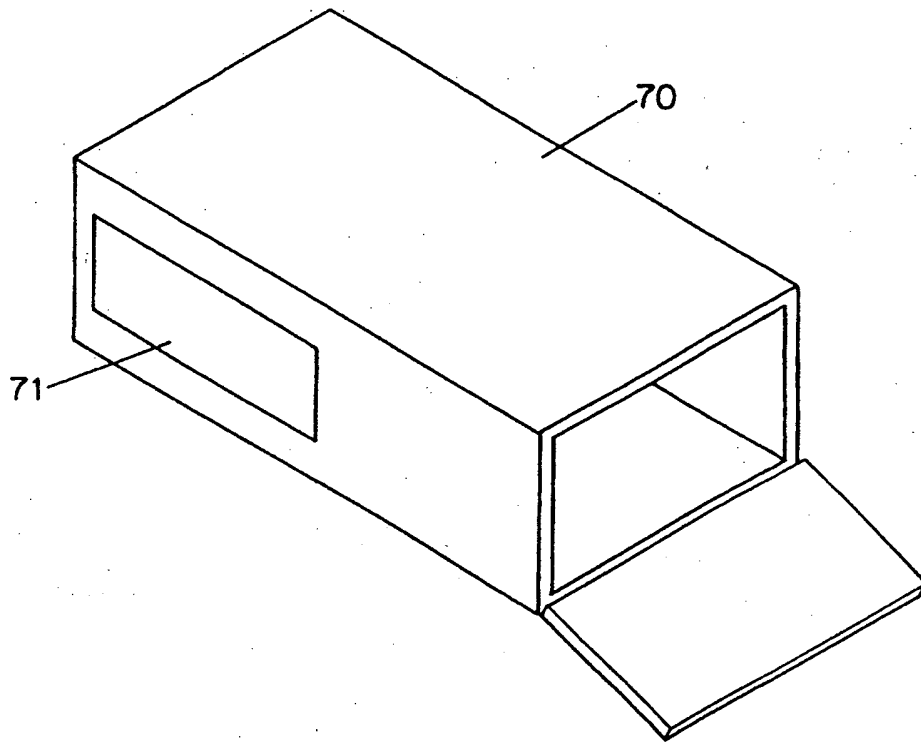


FIG. 7

INTERNATIONAL SEARCH REPORT

International Application No
PCT/US 97/02166

A. CLASSIFICATION OF SUBJECT MATTER
IPC 6 B01L11/00 G01N33/487 B01L9/00

According to International Patent Classification (IPC) or to both national classification and IPC

B. FIELDS SEARCHED

Minimum documentation searched (classification system followed by classification symbols)
IPC 6 B01L

Documentation searched other than minimum documentation to the extent that such documents are included in the fields searched

Electronic data base consulted during the international search (name of data base and, where practical, search terms used)

C. DOCUMENTS CONSIDERED TO BE RELEVANT

Category *	Citation of document, with indication, where appropriate, of the relevant passages	Relevant to claim No.
X	US 5 489 414 A (SCHREIBER JOERG ET AL) 6 February 1996 see column 2, line 15 - line 26 see column 4, line 58 - line 60 see column 4, line 65 - column 5, line 12 ---	1-4
Y	US 5 277 870 A (FULLER) 11 January 1994 see column 1, line 29 - line 33 see column 1, line 49 - line 53 see column 1, line 63 - column 2, line 23 ---	1
Y	US 4 303 887 A (HILL JEREMY R ET AL) 1 December 1981 see page 1, line 58 - page 2, line 20 see column 12, line 25 - line 28; figure 1 ---	1
	-/--	

Further documents are listed in the continuation of box C.

Patent family members are listed in annex.

* Special categories of cited documents :

- *A* document defining the general state of the art which is not considered to be of particular relevance
- *E* earlier document but published on or after the international filing date
- *L* document which may throw doubts on priority claim(s) or which is cited to establish the publication date of another citation or other special reason (as specified)
- *O* document referring to an oral disclosure, use, exhibition or other means
- *P* document published prior to the international filing date but later than the priority date claimed

- *T* later document published after the international filing date or priority date and not in conflict with the application but cited to understand the principle or theory underlying the invention
- *X* document of particular relevance; the claimed invention cannot be considered novel or cannot be considered to involve an inventive step when the document is taken alone
- *Y* document of particular relevance; the claimed invention cannot be considered to involve an inventive step when the document is combined with one or more other such documents, such combination being obvious to a person skilled in the art.
- *Z* document member of the same patent family

Date of the actual completion of the international search

10 June 1997

Date of mailing of the international search report

18.06.97

Name and mailing address of the ISA

European Patent Office, P.B. 5818 Patentlaan 2
NL - 2280 HV Rijswijk
Tel. (+ 31-70) 340-2040, Tx. 31 651 epo nl,
Fax (+ 31-70) 340-3016

Authorized officer

Hocquet, A

INTERNATIONAL SEARCH REPORT

International Application No
PCT/US 97/02166

C.(Continuation) DOCUMENTS CONSIDERED TO BE RELEVANT		
Category	Citation of document, with indication, where appropriate, of the relevant passages	Relevant to claim No.
A	EP 0 640 393 A (BOEHRINGER MANNHEIM GMBH) 1 March 1995	1-5
X	see column 4, line 23 - line 31 ---	12
A	US 4 852 025 A (HERPICHBOEHM BERND) 25 July 1989 see column 2, line 7 - line 47 see column 3, line 50 - line 60 see column 12, line 25 - line 32; figure 6 ---	1,5
A	WO 94 10558 A (ENVIROMED PLC ;FRIEDLANDER URI (GB); HIGGINS IRVING JOHN (GB); COS) 11 May 1994 see page 1, line 1 - line 6 see page 2, paragraph 4 see page 4, paragraph 2 - paragraph 3 see page 6 ---	1
A	CH 677 149 A (DISETRONIC AG) 15 April 1991 see column 2, line 25 - column 3, line 58	8-10,17, 20
A	see column 4, line 15 - line 19 see column 4, line 49 - line 53 ---	1,12
X	EP 0 567 067 A (FUJI PHOTO FILM CO LTD) 27 October 1993 see column 1, line 1 - line 13 see column 2, line 15 - line 20 see column 9, line 1 - line 40 see column 14, line 41 - line 52 see column 22, line 8 - line 17 -----	12-16, 18,20

INTERNATIONAL SEARCH REPORT

Information on patent family members

International Application No
PCT/US 97/02166

Patent document cited in search report	Publication date	Patent family member(s)	Publication date
US 5489414 A	06-02-96	DE 4313252 A	27-10-94
		DE 4328816 A	02-03-95
		EP 0622119 A	02-11-94
		EP 0622626 A	02-11-94
		JP 6308115 A	04-11-94
		JP 6313765 A	08-11-94

US 5277870 A	11-01-94	US 5174963 A	29-12-92

US 4303887 A	01-12-81	CA 1153580 A	13-09-83
		CA 1152772 A	30-08-83
		DE 3040233 A	17-09-81
		FR 2468945 A	08-05-81
		FR 2476350 A	21-08-81
		GB 2069702 A,B	26-08-81
		GB 2077927 A,B	23-12-81
JP 56079242 A	29-06-81		

EP 0640393 A	01-03-95	DE 4328815 A	02-03-95
		JP 7069360 A	14-03-95
		US 5505308 A	09-04-96

US 4852025 A	25-07-89	DE 3617161 A	26-11-87
		EP 0247439 A	02-12-87
		HK 46393 A	21-05-93
		JP 1808984 C	10-12-93
		JP 5016745 B	05-03-93
		JP 62285040 A	10-12-87

WO 9410558 A	11-05-94	AU 5374594 A	24-05-94
		EP 0667956 A	23-08-95

CH 677149 A	15-04-91	WO 9100998 A	24-01-91
		DE 59005357 D	19-05-94
		EP 0436679 A	17-07-91

EP 0567067 A	27-10-93	JP 6213903 A	05-08-94
		US 5538688 A	23-07-96

THIS PAGE BLANK (USPTO)